

Surge Protection Device 10KV PC-SD30-4 Series

Features

- ▶ Standards: Long lifetime, robust protection against moisture, vibration and temperature extremes.
- ▶ Universal AC input / Full range up to 305Vrms.
- ▶ Resistant to peaks and surges of up to 5KA / 10KV.
- ▶ Full encapsulated with IP 67 Level.
- ▶ Suitable for class I and Class II luminaries.

Applications

- ▶ Tunnels
- ▶ Highways
- ▶ Rural roads
- ▶ Parking lots
- ▶ Area lighting

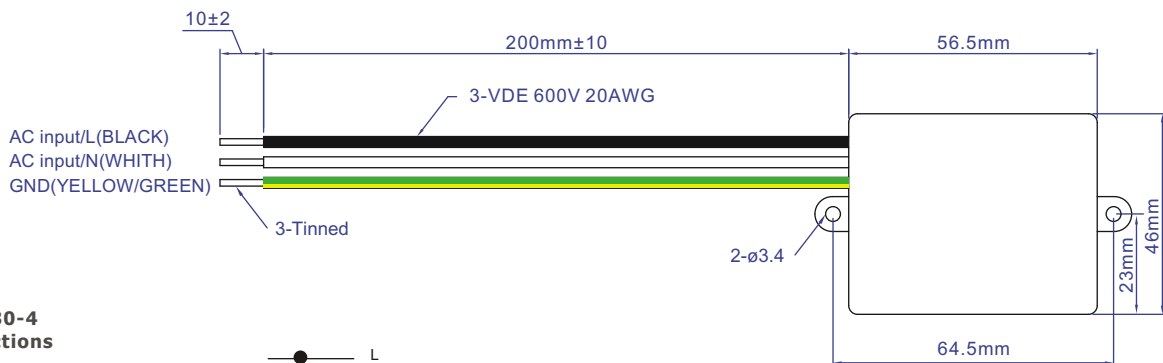


10KV PC-SD30-4 Series

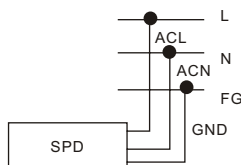
Specifications

Operating voltage	277VAC 50/60Hz
MCOV (max. continuous operating voltage)	320Vrms
UC (max. continuous operating voltage)	320Vrms
VPR (voltage protection rating)	560VDC(L-N) ; 3470VAC(L-FG, N-FG)
UP (voltage protection rating)	560VDC(L-N) ; 3470VAC(L-PE, N-PE)
IN (nominal discharge current)	5KA
Max. surge voltage(2/50us)	10KV
Max. surge current(8/20us)	5KA
Response time	<25ns
Withstand	1600VAC 1minutes
Operating temperature	- 40°C~+70°C
Safety standards	Refer to UL1449 3rd edition (Type 2 component assemblies), EN61643-11
Dimension	85x35.5x27mm *Tolerance±0.4mm
Packing	106 gram

PC-SD30-4
Dimensional Drawing



PC-SD30-4
Connections



Surge Protection Device 30KV PC-SD30-5 Series

Features

- ▶ Standards: Long lifetime, robust protection against moisture, vibration and temperature extremes.
- ▶ Universal AC input / Full range up to 305Vrms.
- ▶ Resistant to peaks and surges of up to 15KA / 30KV.
- ▶ Full encapsulated with IP 67 Level.
- ▶ Suitable for class I and Class II luminaries.

Applications

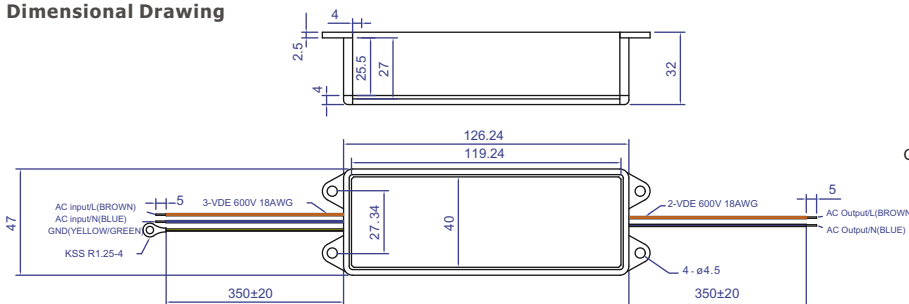
- ▶ Tunnels
- ▶ Highways
- ▶ Rural roads
- ▶ Parking lots
- ▶ Area lighting



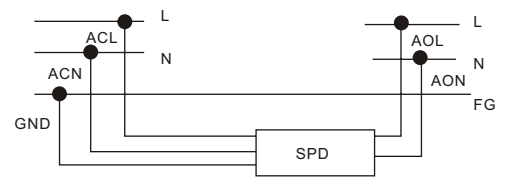
Specifications

Operating voltage	277VAC 50/60Hz
MCOV (max. continuous operating voltage)	320Vrms
UC (max. continuous operating voltage)	320Vrms
VPR (voltage protection rating)	560VDC(L-N) ; 3470VAC(L-FG, N-FG)
UP (voltage protection rating)	560VDC(L-N) ; 3470VAC(L-PE, N-PE)
IN (nominal discharge current)	5KA
Max. surge voltage(2/50us)	30KV
Max. surge current(8/20us)	15KA
Response time	<25ns
Withstand	1600VAC 1minutes
Operating temperature	- 40°C~+70°C
Safety standards	Refer to UL1449 3rd edition (Type 2 component assemblies), EN61643-11
Dimension	145x40x32mm *Tolerance±0.4mm
Packing	300 gram

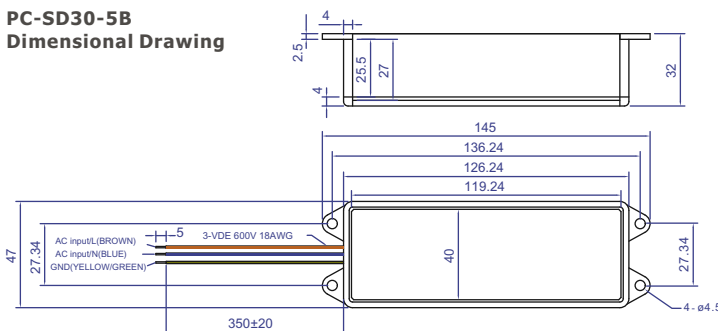
PC-SD30-5A
Dimensional Drawing



PC-SD30-5A
Connections



PC-SD30-5B
Dimensional Drawing



PC-SD30-5B
Connections

